

# PARTS MANUAL

## MB16, MB21, and MTB16 Scoot-Crete Power Buggies

(revised June 14, 2004)





\*Call AAA Rent-All at 225-291-1356 for assistance ordering parts\*

# This manual is for Miller MB16, MB21 and MTB16 Buggies

## Table of Contents

General Arrangement and Decals-----	pages 1-2
Steering Column -----	pages 3-5
Braking System -----	pages 7-10
Hydraulic System -----	pages 11-15
Bucket Base -----	page 16
Speed Control -----	pages 17-18
Wheel Assemblies -----	pages 19-20
Dump Lever Linkage -----	pages 21-23
Track Assembly-----	pages 24-26

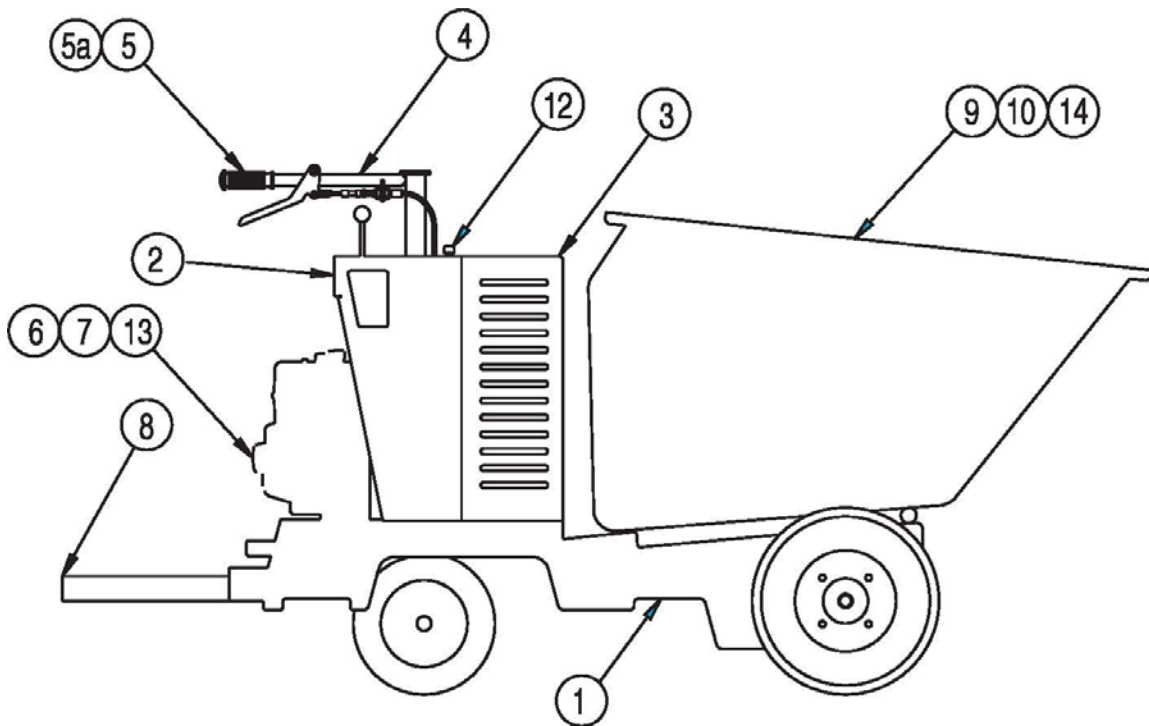


**UNLESS OTHERWISE SPECIFIED ALL  
REPLACEMENT HARDWARE ON THIS MACHINE MUST CONFORM  
TO SAE GRADE 5 OR 6 (THREE (3) OR (4) LINES ON BOLT HEAD)**

## SPARK ARRESTER SERVICE

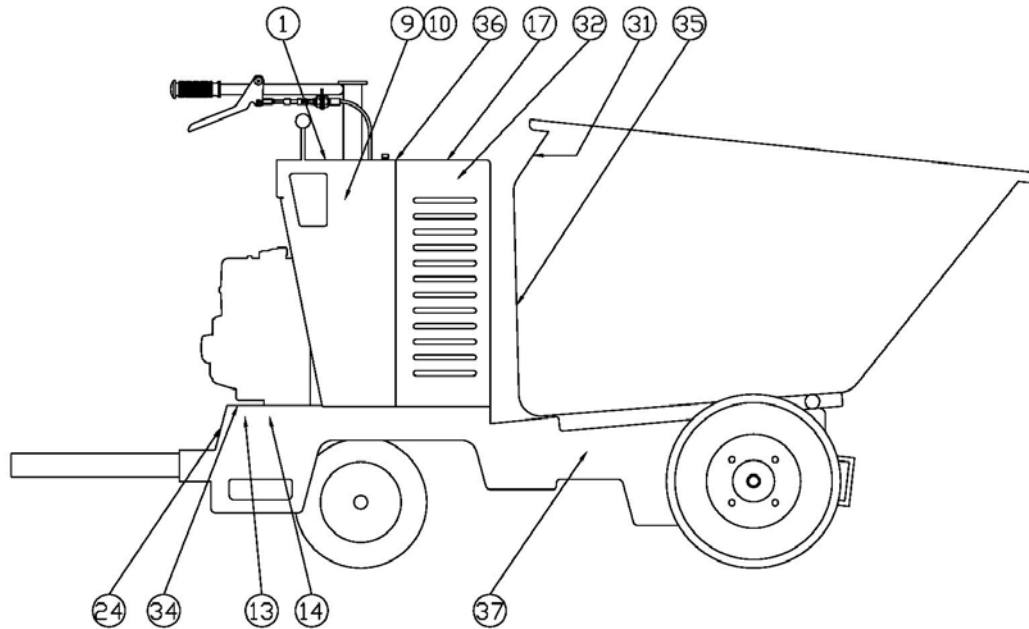
Your engine is not factory-equipped with a spark arrester. In some areas, it is illegal to operate an engine without a spark arrester. Check local laws and regulations. A spark arrester is available from authorized Honda dealers.

## GENERAL ARRANGEMENT



ITEM	QTY	PART #	DESCRIPTION
1	1	42100-36	Main Frame 42100-01
2	1	42100-38	Console
3	1	42108-01	Hydraulic Reservoir Cover
4	1	42126-01	Standard Handle Bar Less Grips
5	1	42102-07	LH Handle Bar Grip
5a	1	42101-08	RH Handle Bar Grip
6	1	EN0600	13HP Honda Recoil Start Engine
7	1	EN1700	13HP Honda Electric Start Engine
8	1	42115-01	Operator's Platform
9	1	42106-03	Poly Bucket – MB16
10	1	42105-01	Steel Bucket – MB16
12	1	EM0100	Stop Switch
13	1	42124-01	18HP Honda Electric Start Engine – MB21
14	1	42122-01	Poly Bucket – MB21
15	1	42123-10	Fuel Tank – MB21 (not illustrated)
16	1	42123-18	Fuel Cap – MB21 (not illustrated)

## DECALS FOR MB-16 / MB-21

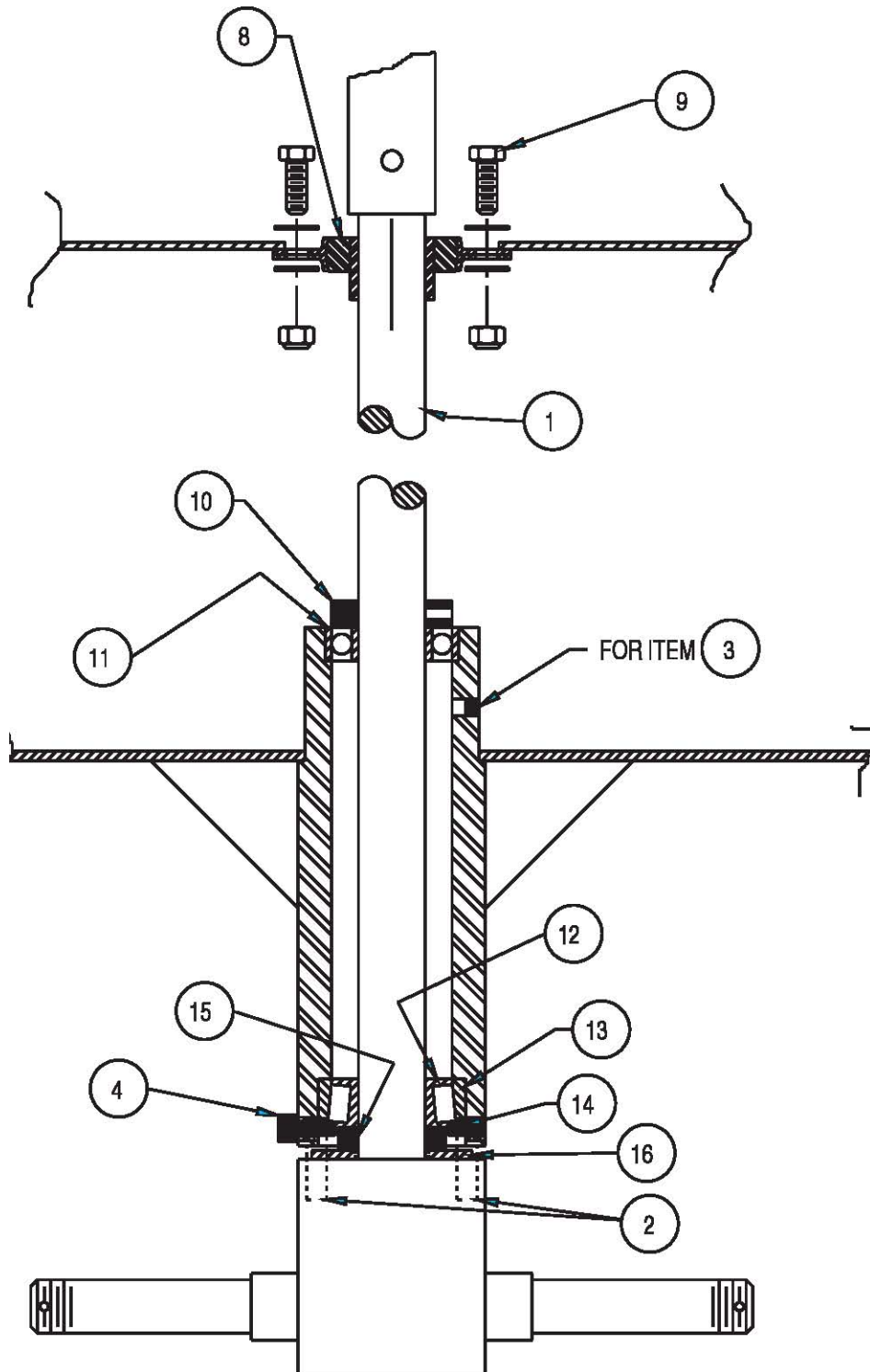


ITEM	QTY	PART#	DESCRIPTION
		42109	Complete Decal Set Includes all of the following
1	1	42109-01	Dash Decal
9	2	42109-09	MB-16 Decal for Console
10	2	42109-10	MB-21 Decal for Console
	1	42109-11	Flammable Fuel Safety Decal for MB21
*12	1	42109-12	Mine-X Purifier/Muffler Safety Decal
*13	1	42109-13	ASME Safety Decal (located on forward right hand edge of base plate)
14	1	42109-14	Fan Caution (located on rear right hand edge of base plate)
17	1	42109-17	Console Safety Decal
24	1	42109-24	Lifting/Tie Down Safety Decal (located above Operator Platform)
31	1	DE1100	Safety & Operating Instructions Decal (for Bucket only)
32	2	DE1400	Miller Scoot-Crete Decal for Console
33	2	DE1500	Scoot-Crete Decal for Steel Bucket
34	1	DE1700	Exhaust Gas (located on outer left hand corner of base plate)
35	1	DE1800	Lifting/Tie Down Safety Decal (for Bucket only)
36	1	DE1900	Hydraulic Oil Decal (for machines with top louvered cover only)
37	2	DE2000	Pinch Point Safety Decal

\*MB-16 ONLY / \*\*MB-21 ONLY

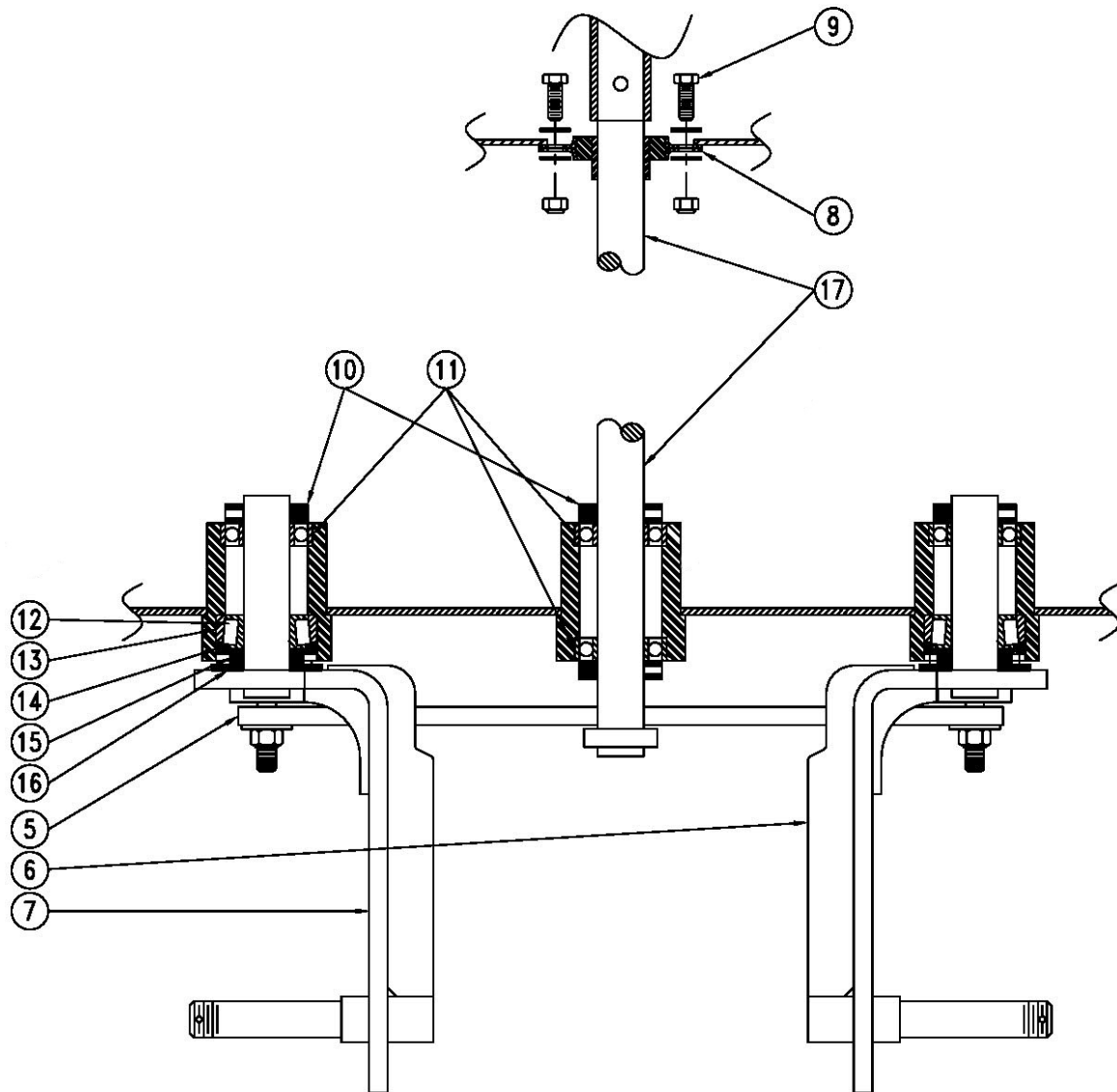
# STEERING COLUMN FOR MB16 AND MB21

Refer to page 5 for parts listing



# STEERING COLUMN FOR MTB16 HALFTRACK

Refer to page 5 for parts listing



## STEERING COLUMN PARTS LISTING

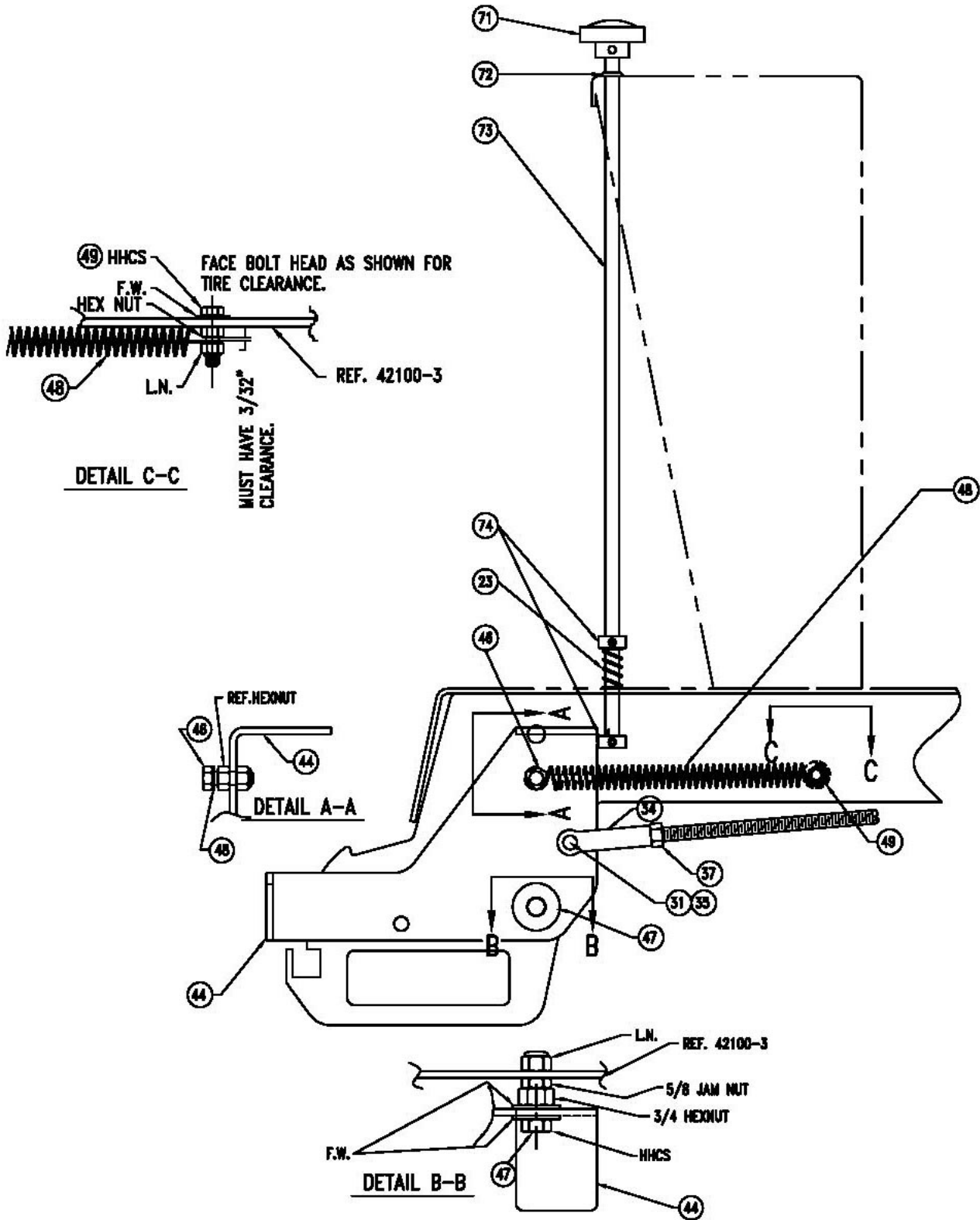
ITEM	QTY	PART#	DESCRIPTION
1	1	32100-01	Steering Column
2	2	42131-16	Wheel Bearing Tube
3	1	HW0001	Grease Fitting 42100-18
4	2	HW0001	Cap Screw 42100-17
5	1	42132-11	Tie bar
6	1	42132-02	Left Wheel Fork
7	1	42132-03	Right Wheel Fork
8	1	32100-08	Flanged Bearing
9	2	HW0001	Bolt Assy. 32100-09
10	1	CO0100	Clamping Collar
11	1	BE1400	Ball Bearing
12	1	BE1200	Bearing Cone
13	1	BE1300	Bearing Cup
14	1	MS3700	Grease Seal
15	1	32100-15	Spacer , Steering Column
16	1	HW0001	Flat Washer 32100-16





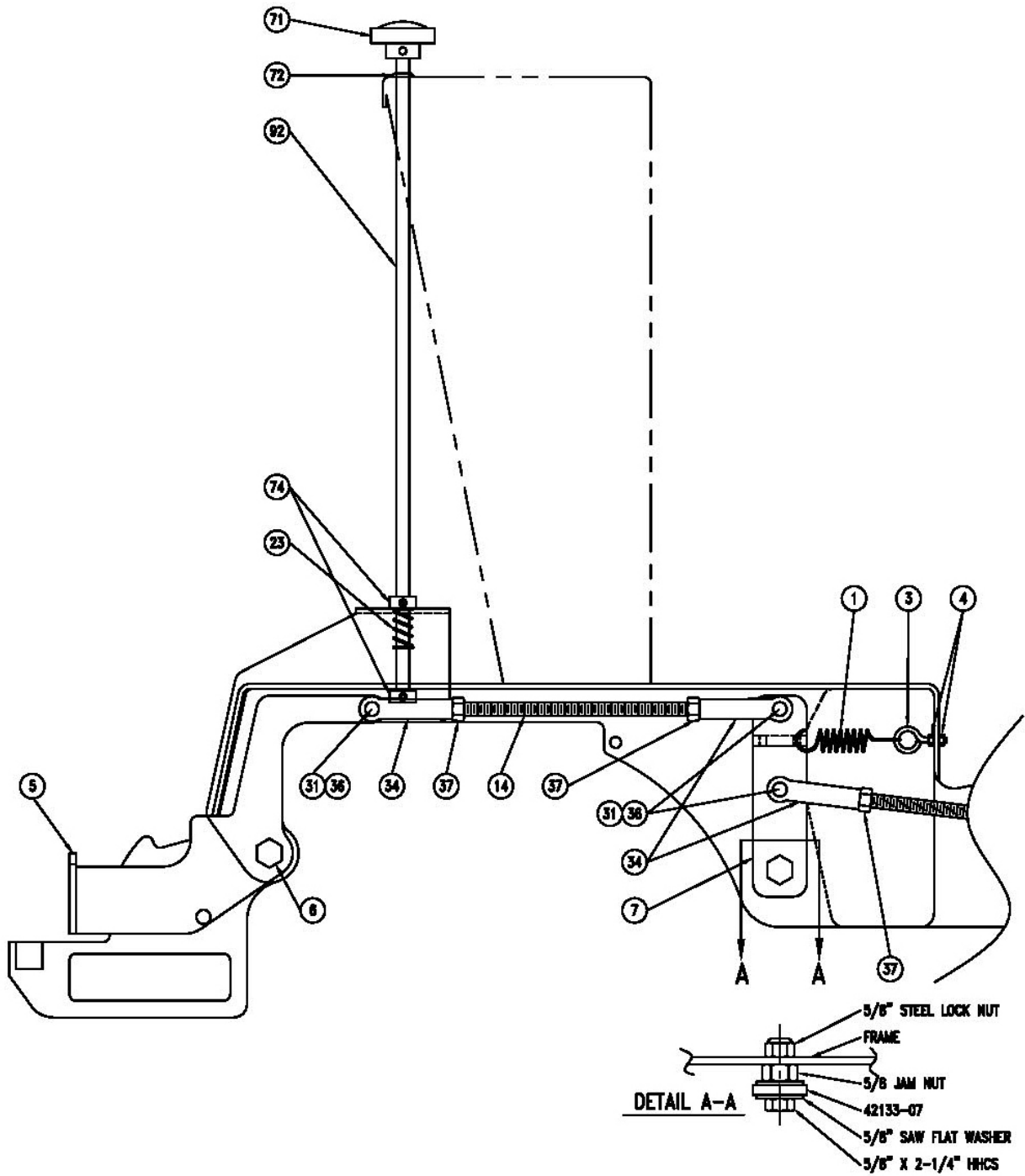
# MB16 AND MB21 BRAKE SYSTEM

Refer to page 10 for parts listing

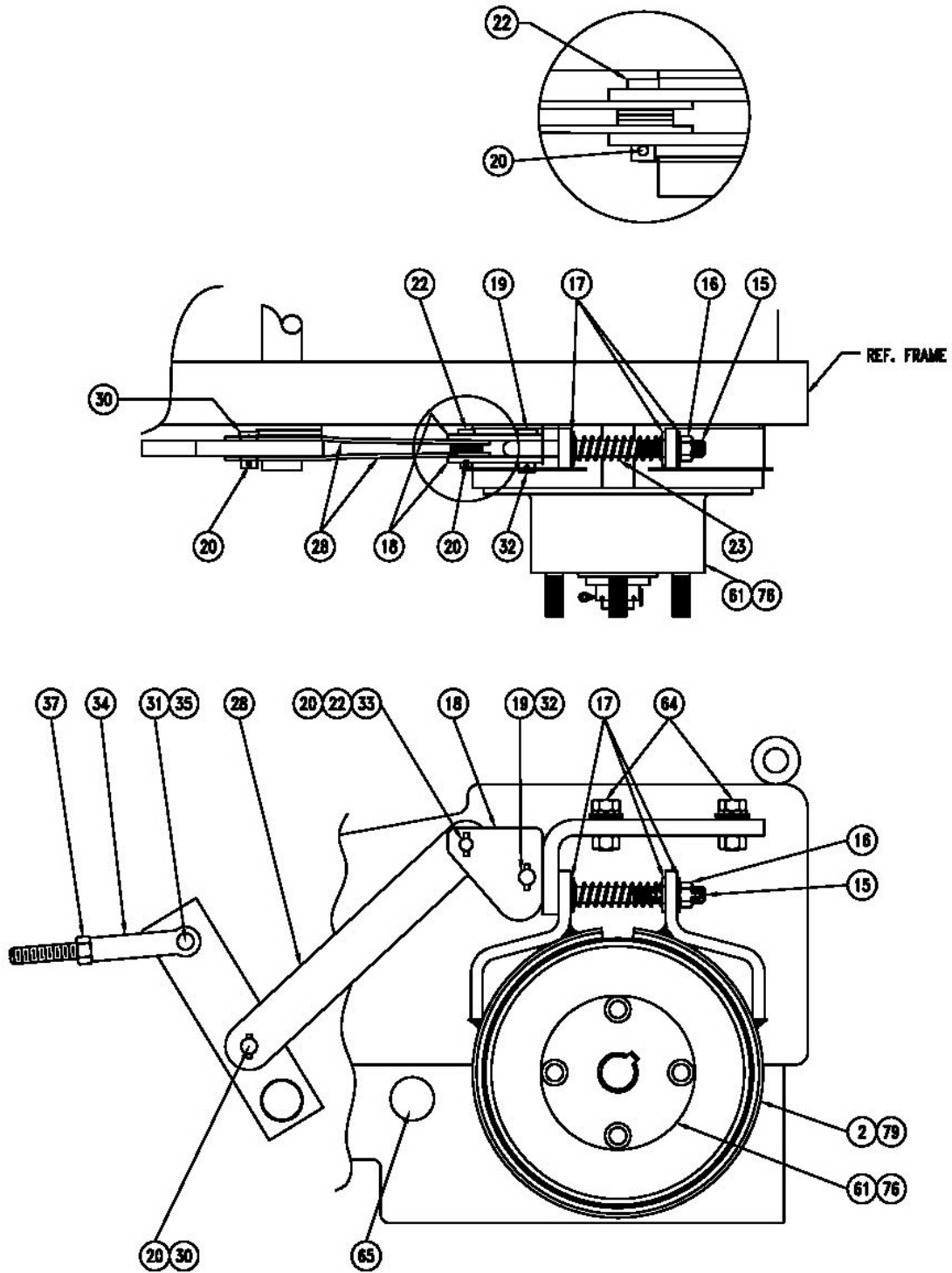


# MTB16 HALFTRACK BRAKE SYSTEM

Refer to page 10 for parts listing



# MB16, MB21, AND MTB16 BRAKE HUB ASSEMBLY

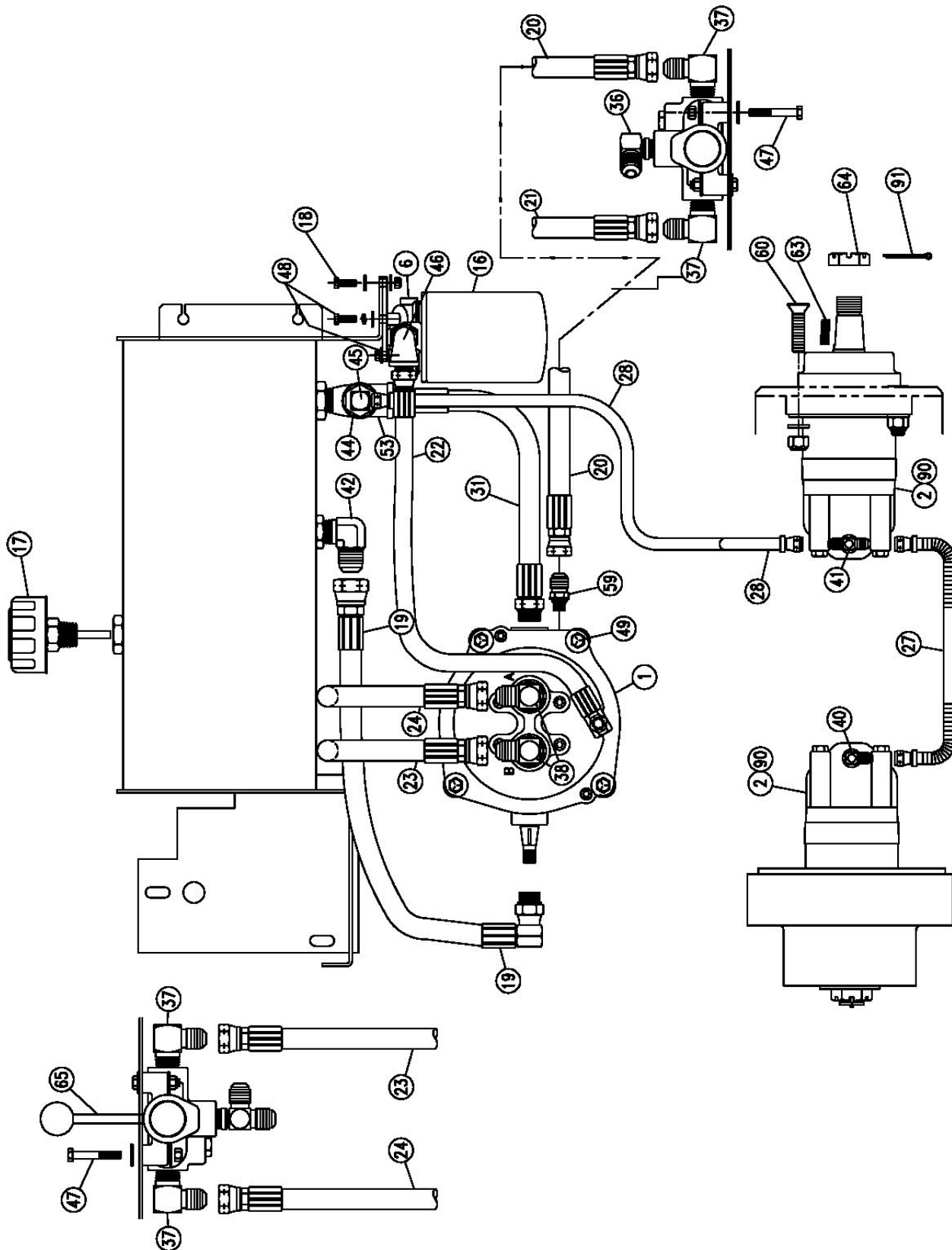


## BRAKE SYSTEM PARTS LISTING

ITEM	QTY	PART#	DESCRIPTION
1	1	SN0100	Stainless Steel Extension Spring
2	2	42101-02	Brake Band
3	1	42133-18	Bent Eye Bolt
4	2	HW0001	1/4" NC Plated Hex Nut
5	1	42133-02	Brake Pedal Weldment
6	1	42133-06	5/8" HHCS x 8" Long with 2 5/8" SAE Flat Washers
7	1	42133-07	Brake Arm
14	1	42133-14	1/2" NC All Thread x 11" Long, SAE Grade Two Minimum
15	2	42101-15	"J" Bolt
16	2	42101-16	Locknut
17	2	HW0001	1/2" SAE Flatwasher 42101-17
18	4	42101-18	Brake Cam (replace in matched pairs only)
19	2	42101-19	Case Hardened Clevis Pin <b>No Substitutes</b>
20	4	42101-20	Spring Pin <b>No Substitutes.</b> - Do not use cotter pin
22	2	42101-22	Clevis Pin
23	3	SN0150	Compression Spring
28	2	42101-28	Brake Cam Link Arm
30	2	42101-30	Clevis Pin
31	4	HW0001	1/8" x 3/4" Cotter Pin 42101-31
32	2	42101-32	Spring Pin <b>No Substitutes.</b> Do not use cotter pin.
33	6	HW0001	5/16" USS Flatwasher 42101-33
34	2	MS3900	Adjustable Yoke End
35	2	MS3800	Yoke Pin
37	2	HW0001	1/2" NC Hex Nut 42101-37
38	1	42101-38	Brake Rod (All thread SAE grade 2 minimum) <b>No substitutes</b>
44	1	42101-44	Brake Pedal
46	1	HW0001	Bolt Assembly 42101-46 (3/8" x 1 1/2" HHCS with USS FW, Locknut, and Hexnut)
47	1	HW0001	Bolt Assembly 42101-47 (5/8" x 2 1/2" HHCS with 3/4" HN, LN, 5/8" Jamnut and two 5/8" SAE FW
48	1	42101-48	Spring, Brake Pedal Return
49	1	HW0001	Bolt Assembly 42101-49 (1/2" x 1 1/2" HHCS with Locknut and Nexnut)
61	2	42101-61	Wheel Hub With Studs
64	4	HW0001	Bolt Assembly 42101-64 (1/2" x 1 1/4" HHCS with SAE FW and Lockwasher)
65	4	HW0001	Bolt Assembly 42101-65 (1/2" x 1 1/4" HHCS with 2 USS FW and Locknut)
66	1	42101-66	Left Hand Brake Cover (not shown)
70	1	42101-70	Right Hand Brake Cover (not shown)
71	1	42101-71	Palm Grip
72	1	42101-72	Bushing
73	1	42101-73	Parking Brake Catch Rod
74	2	42101-74	Set Collar
92	1	42101-92	1/2" 1018 CRR x 23-7/16" Long

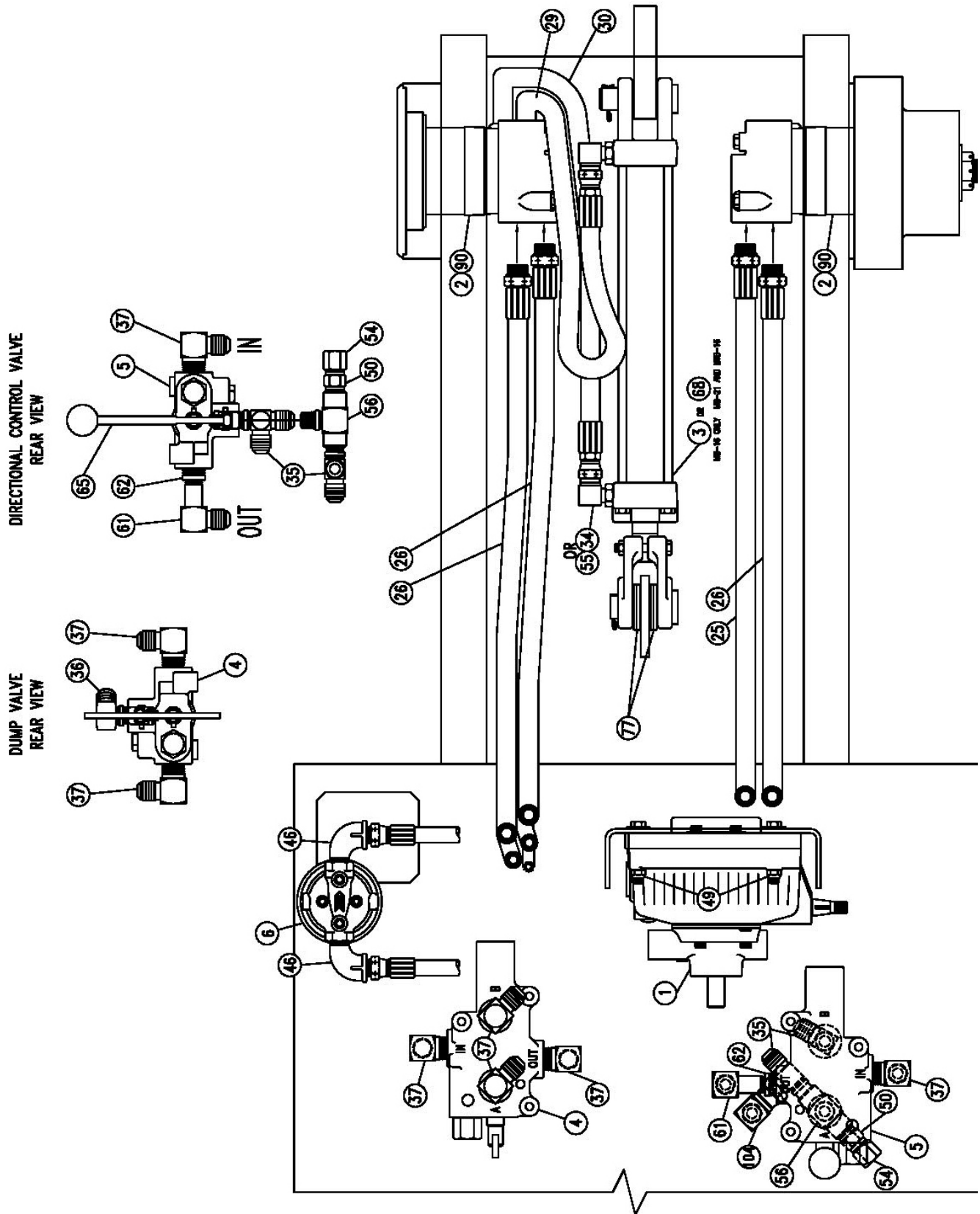
# HYDRAULIC SYSTEM GENERAL ARRANGEMENT (1 OF 3)

refer to pages 14 & 15 for parts listing



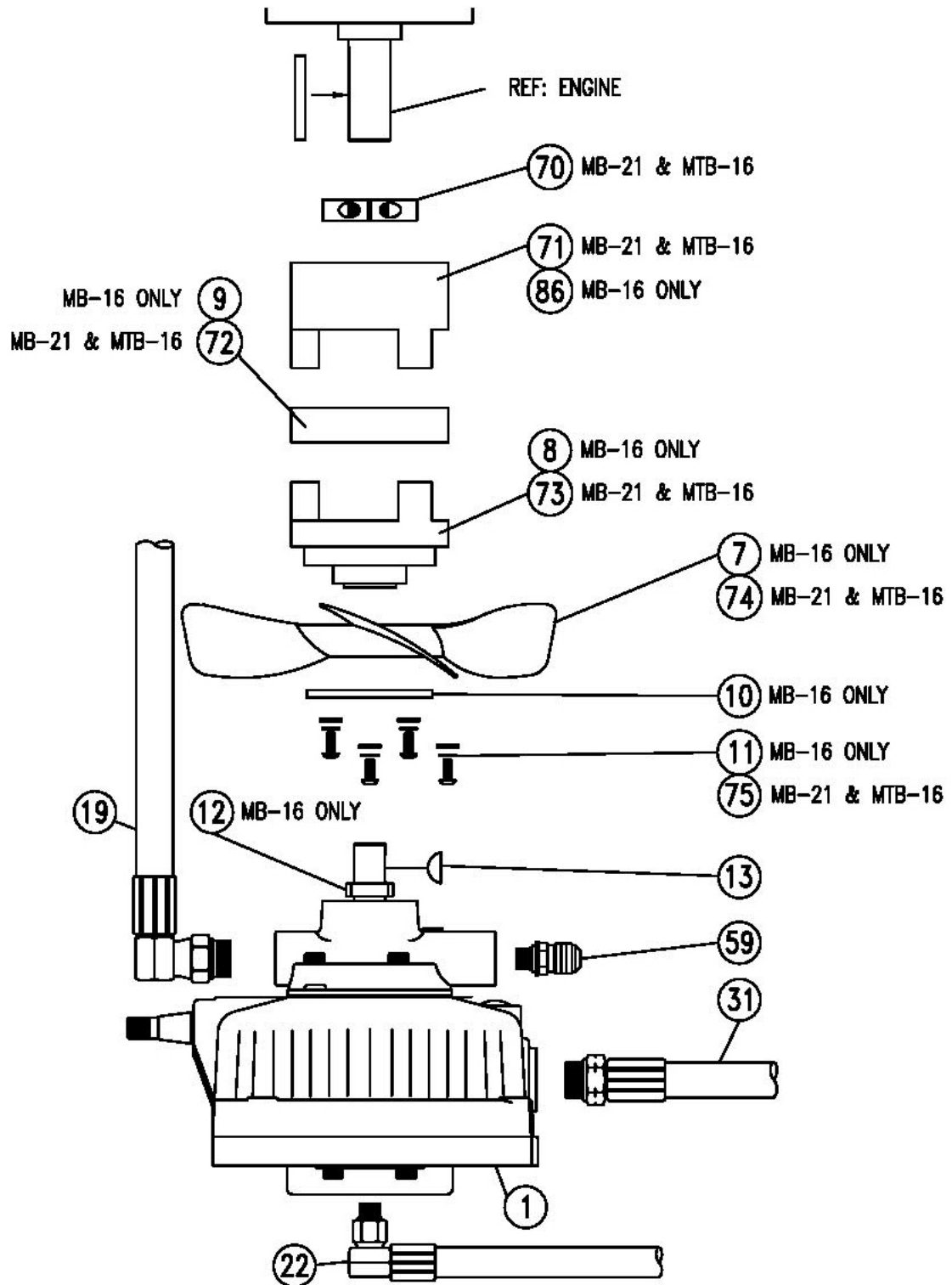
# HYDRAULIC SYSTEM GENERAL ARRANGEMENT (2 OF 3)

refer to pages 14 & 15 for parts listing



# HYDRAULIC SYSTEM GENERAL ARRANGEMENT (3 OF 3)

refer to pages 14 & 15 for parts listing





## HYDRAULIC SYSTEM PARTS LISTING

ITEM	QTY	PART #	DESCRIPTION
1	1	HM0500	Hydrostatic Pump
2	2	HM0600	Wheel Motor
*3	1	HM0700	Hydraulic Cylinder MB-16
4	1	HM0800	Dump Valve
	1	42103-69	Dump Valve Assembly (consist of 4, 36, 37)
5	1	HM0900	Directional Control Valve
	1	42103-76	Directional Valve Assembly (consist of 5, 37, 35, 56, 50, 54)
6	1	FI0200	Spin-on Filter Assy. Complete
*7	1	42103-07	Transmission Fan
*8	1	42103-08	Pump Side Coupling Half MB-16
*9	1	PM0150	Spider Jaw Element MB-16
*10	1	42103-10	Flat washer MB -16
*11	3	HW0001	Bolt Assembly 42103-11 for MB-16 ( $\frac{1}{4}$ " x $\frac{3}{4}$ " with Lock washer)
*12	2	FG3400	Shaft Spacer 42103-12 for MB-16
13	1	HW0001	Woodruff Key 42103-13 ( $\frac{3}{16}$ " wide x $\frac{3}{4}$ " long)
16	1	42103-16	Spin-on Filter Element
17	1	FI0350	Reservoir Filler Breather Ass'y
18	1	HW0001	Bolt Assembly 42103-18 ( $\frac{1}{4}$ " x $\frac{3}{4}$ " HHCS with 2 SAE FW and Lock nut)
19	1	42103-19	Hose Assembly, 15" long
20	1	HH1700	Hose Assembly, 20" long
21	1	42103-21	Hose Assembly, 24" long
22	1	42103-22	Hose Assembly, 18" long
23	1	HH1900	Hose Assembly, 27" long
24	1	HH2000	Hose Assembly, 30" long
25	2	42103-25	Hose Assembly, 69" long
26	2	42103-26	Hose Assembly, 65" long
27	1	HH2100	Hose Assembly, 18" long w/spring guard
28	1	HH2200	Hose Assembly, 54" long w/spring guard
29	1	HH2300	Hose Assembly, 72" long w/spring guard
30	1	HH2400	Hose Assembly, 66" long w/spring guard
31	1	HH2500	Hose Assembly, 18" long
35	2	FG3800	Fitting Male Run Tee
36	2	FG3900	90° Male Elbow
37	4	FG3700	90° Male Elbow
38	2	FG4000	Straight Thread "O" Ring Elbow
40	1	FG4100	Straight Thread "O" Ring 90° Elbow
41	1	FG4200	Straight Thread "O" Ring Branch Tee
42	1	42103-42	90° Male Elbow
44	1	42103-44	Hex Reducer Bushing Reservoir

## HYDRAULIC SYSTEM PARTS LISTING (continued)

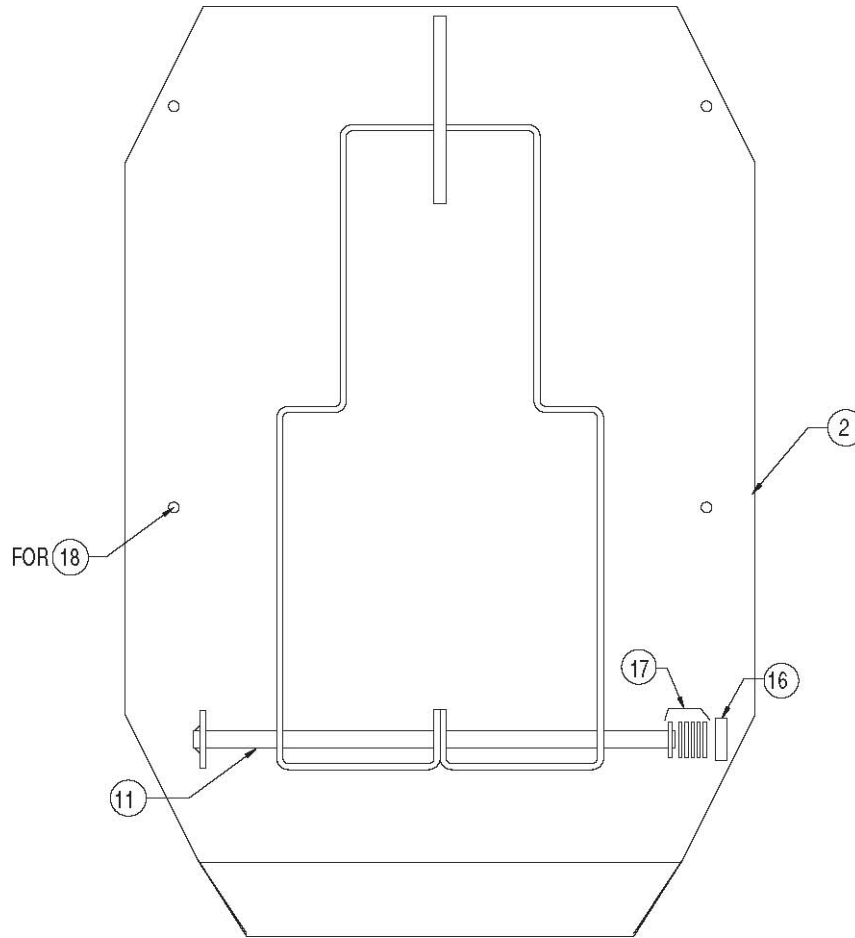
ITEM	QTY	PART#	DESCRIPTION
45	1	FG4300	90° Male Elbow
46	2	42103-46	90° Street Elbow
47	6	HW0001	Bolt Assembly 42103-47 ( $5/16$ " x $1\ 3/4$ " HHCS with USS FW and Lock nut)
48	2	HW0001	Bolt Assembly 42103-48 ( $1/4$ " x $3/4$ " with Lock washer and SAE FW)
49	4	HW0001	Bolt Assembly 42103-49 ( $3/8$ " x $2\ 1/2$ " with USS FW and NyLock nut)
50	1	42103-50	Straight Male Connector
53	1	42103-53	Fitting Male Run Street Tee
54	1	42103-54	Cap
55	2	FG3600	90° "O" Ring Elbow
56	1	42103-56	Male Branch Tee
59	1	42103-59	Straight Thread "O" Ring Connector
60	8	HW0001	Bolt Assembly 42103-60 ( $1/2$ " x 2" HSFHCS with split lock and NyLock)
63	1	42103-63	Wheel Motor Key
64	1	42103-64	Wheel Motor Castle Nut
65	1	42103-65	Valve Handle Weldment
**68	1	42123-23	Hydraulic Cylinder MB-21
**70	1	42303-16	Clamping Collar MB-21
**71	1	42123-04	Engine Side Coupling Half MB-21
**72	1	42123-06	Spider Jaw Element MB-21
**73	1	42123-05	Pump Side Coupling Half MB-21
**74	1	42123-01	Transmission Fan MB-21
**75	4	42123-03	Bolt Assembly MB-21
77	4	HW0001	Flat Washer 42103-77 (1" SAE FW)
*86	1	PM0100	Engine Side Coupling Half MB-16
91	1	HW0001	Wheel Motor Cotter Pin

\*MB-16 ONLY / \*\*MB-21 AND MTB16 ONLY

## REPLACEMENT SEAL KITS

PART#	DESCRIPTION
42103-99	MB16 Lift Cylinder Seal Kit
100135	MB21 and MTB16 Lift Cylinder Seal Kit
32016-47	MB16/21 Hydraulic Wheel Motor
42103-85	Travel Speed Control Valve and Dump Valve Seal Kit

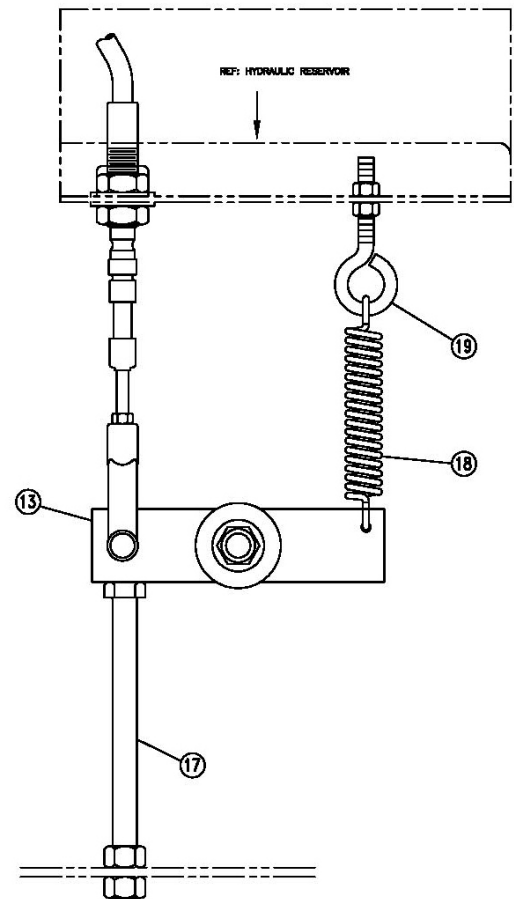
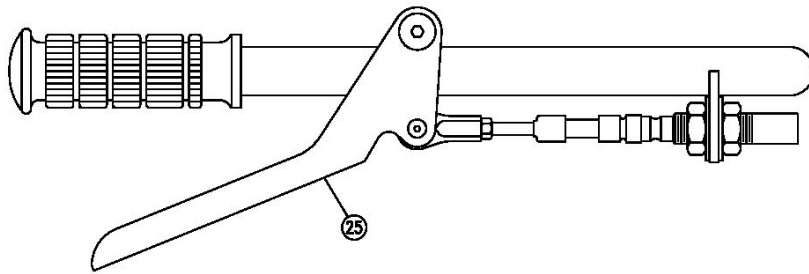
## BUCKET BASE PLATE



**BOTTOM VIEW**

ITEM	QTY	PART#	DESCRIPTION
2	1	42110-02	Bucket Base Plate
11	1	42110-11	Pivot Pin
16	1	42110-16	Clamping Collar
17	6	HW0001	Washer Spacer 42110-17 ( $\frac{3}{4}$ " SAE FW)
18	6	42106-02	Elevator Bolt Assembly

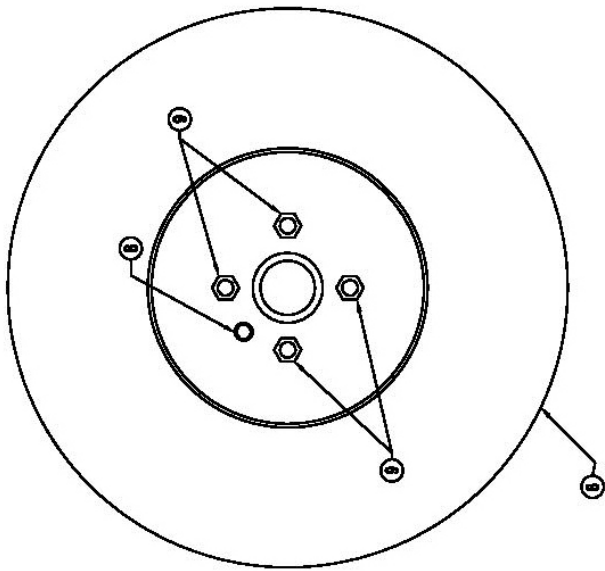
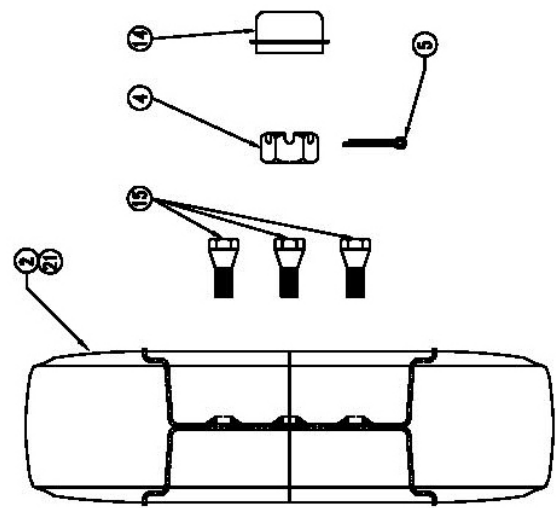
## TRAVEL SPEED CONTROL ASSEMBLY



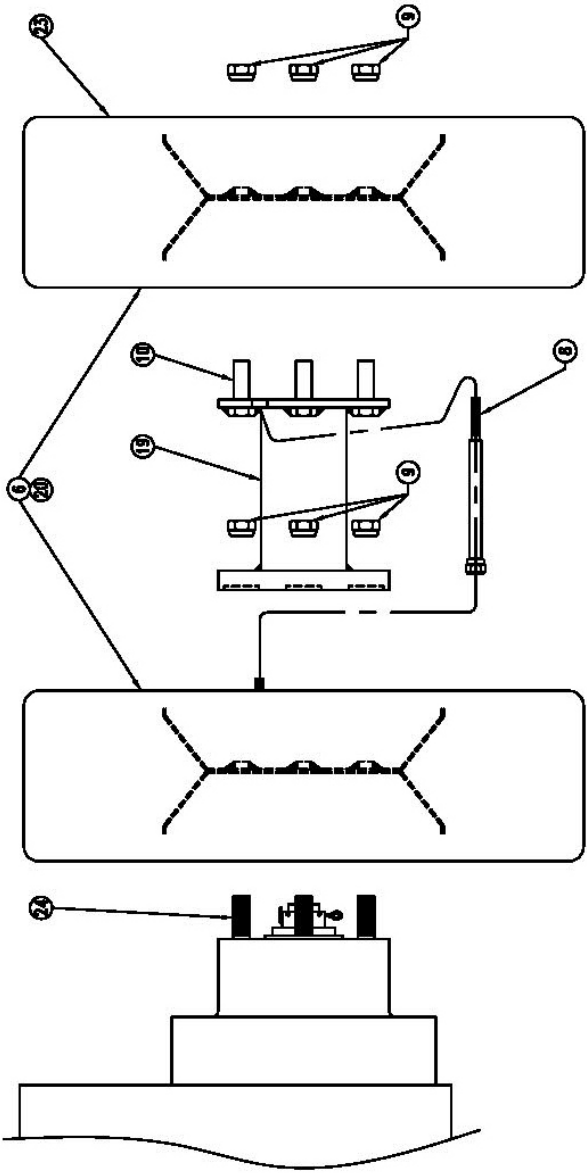
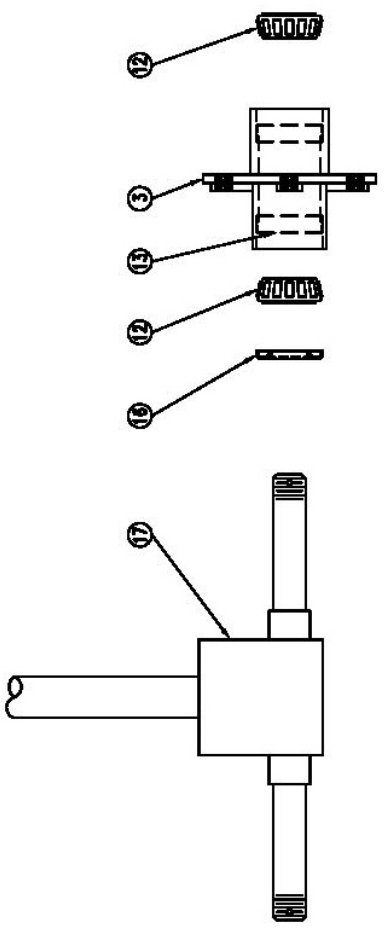
## SPEED CONTROL PARTS LISTING

ITEM	QTY	PART #	DESCRIPTION
4	1	42107-04	Shoulder Bolt
9	1	CT0900	Shift Cable
10	1	MS2500	Adjustable Yoke End
11	1	42107-11	Clevis Pin
12	1	HW0001	Cotter Pin 42107-12 ( $\frac{3}{32}$ " x $\frac{3}{4}$ " )
13	1	42107-13	Transmission Shift Bar
14	1	HW0001	Locknut 42107-14 ( $\frac{1}{2}$ " Steel Lock Nut)
15	1	HW0001	Flatwasher 42107-15 ( $\frac{5}{8}$ " USS)
16	1	HW0001	Flatwasher 42107-16 ( $\frac{1}{2}$ " SAE)
17	1	42107-17	Stop Bolt With Hex Nut
18	1	SN0100	Spring
19	1	HW0001	Eye Bolt 42107-19 ( $\frac{1}{4}$ " x 3")
20	2	HW0001	Hex Nut 42107-20 ( $\frac{1}{4}$ " )
21	1	HW0001	Woodruff Key 42107-21 ( $\frac{1}{8}$ " x $\frac{5}{8}$ " not shown)
22	2	HW0001	Flat Washer 42107-22 ( $\frac{3}{8}$ " SAE)
23	1	42107-23	Tie Rod End
24	1	42107-24	Shoulder Bolt
25	1	42107-25	Travel Speed Control Lever
26	1	42100-35	Grommet (Not shown)

# WHEEL ASSEMBLIES



Steering Wheel Assembly



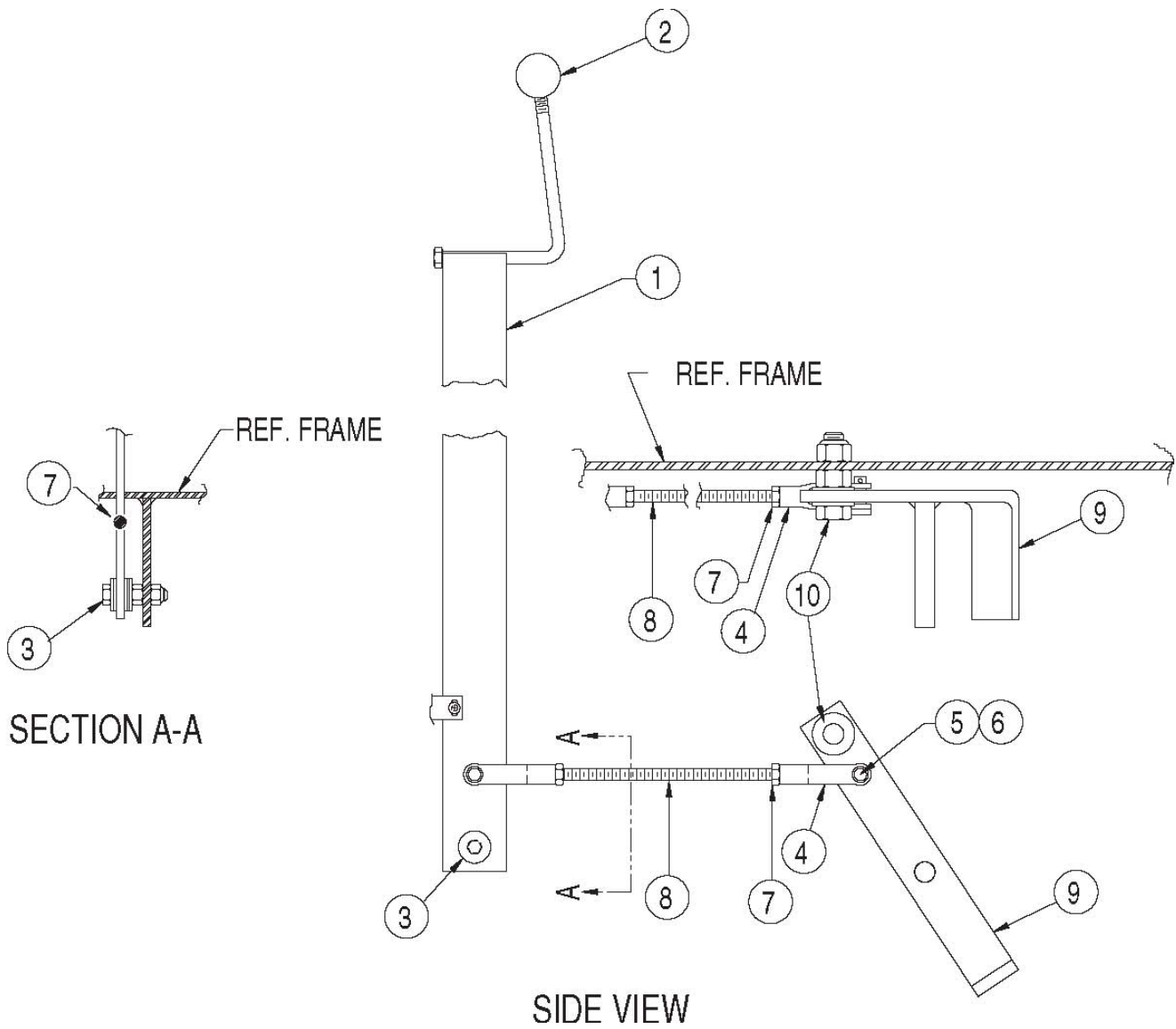
Drive Wheel Assembly

## WHEEL ASSEMBLIES PARTS LISTING

ITEM	QTY	PART #	DESCRIPTION
2	2	42113-02	Steering Tire
3	2	42113-03	High Speed Hub with Bearings, Grease Seal and Grease Cap
4	2	42113-04	Castle Nut Steering
5	2	HW0001	Cotter Pin 42113-05 ( $\frac{1}{8}$ " x 1 $\frac{1}{2}$ " )
6	4	42113-06	Front Drive Tire Assembly
8	2	MS4000	Air Valve Extender 42113-08
9	16	42113-09	Cone Wheel Nut
10	4	42116-05	Space Wheel Studs
12	4	42113-12	Roller Bearing
13	4	42113-13	Bearing Cup
14	2	42113-14	Grease Cap
15	8	42113-15	Wheel Bolts
16	2	42113-16	Grease Seal
17	1	32100-01	Steering Column
19	2	42116-01	Wheel Spacer
20	4	42113-20	Foam Filled Drive Tire Assembly
21	2	42113-21	Foam Filled Steering Tire Assembly
23	1	42113-23	Outside Pneumatic Tire Assembly
24	4	42101-63	Brake Hub Wheel Studs

# CONSOLE MOUNTED DUMP LEVER ASSEMBLY

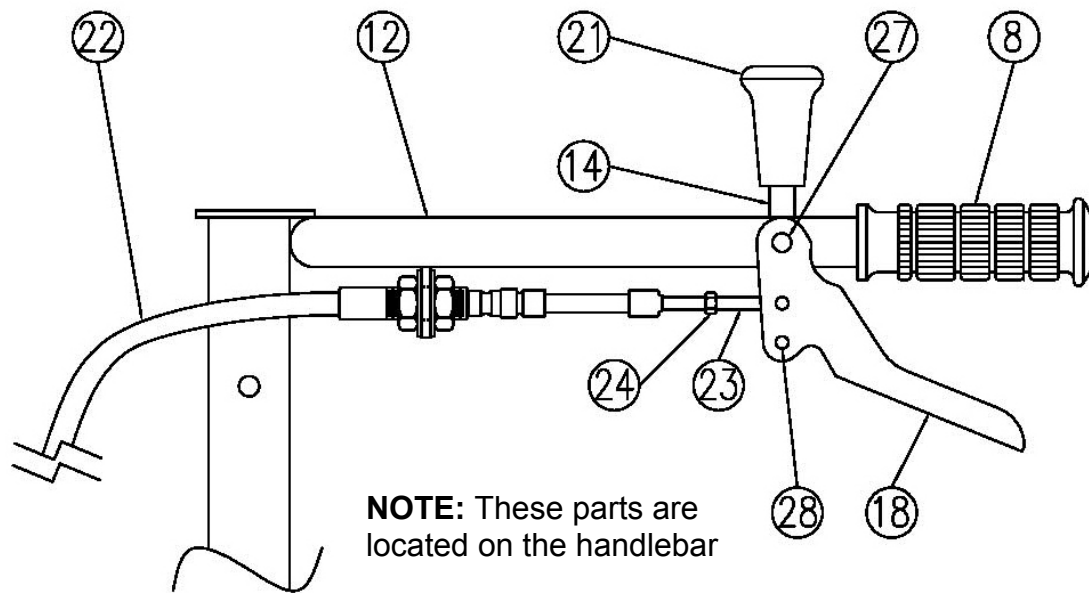
Refer to page 23 for parts listing



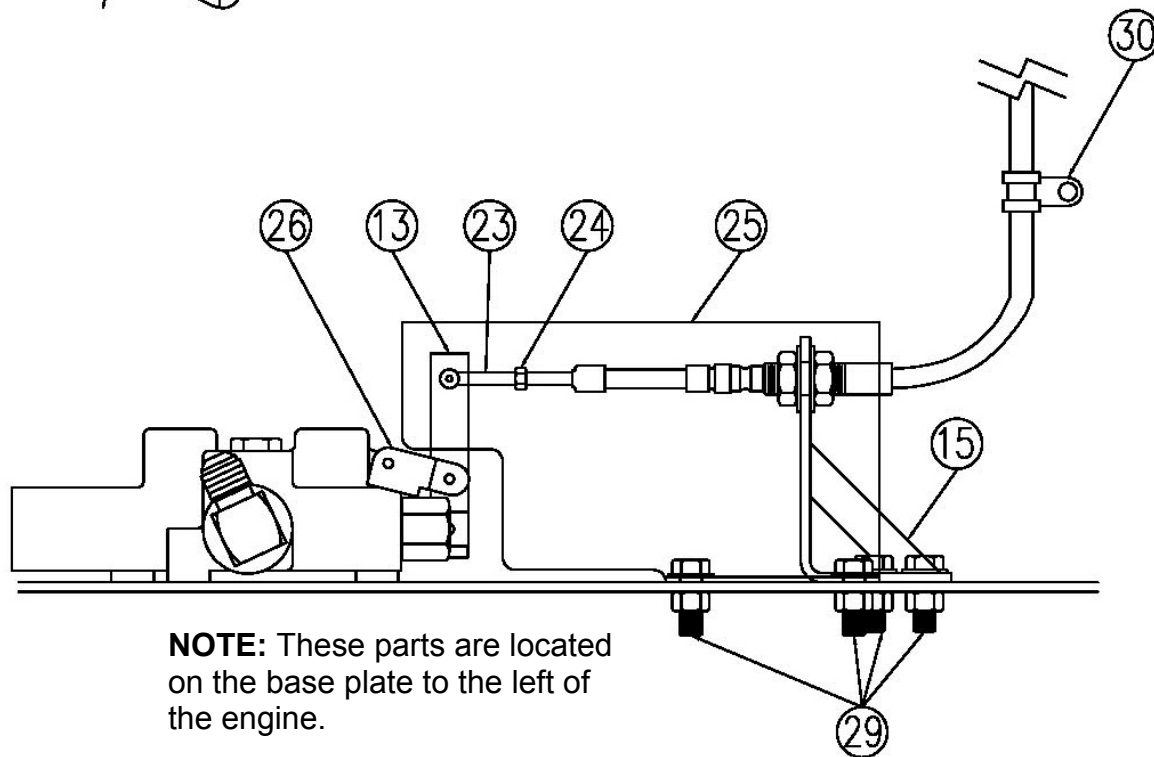


## HANDLE MOUNTED DUMP LEVER ASSEMBLY

refer to pages 23 for parts listing



**NOTE:** These parts are located on the handlebar



**NOTE:** These parts are located on the base plate to the left of the engine.

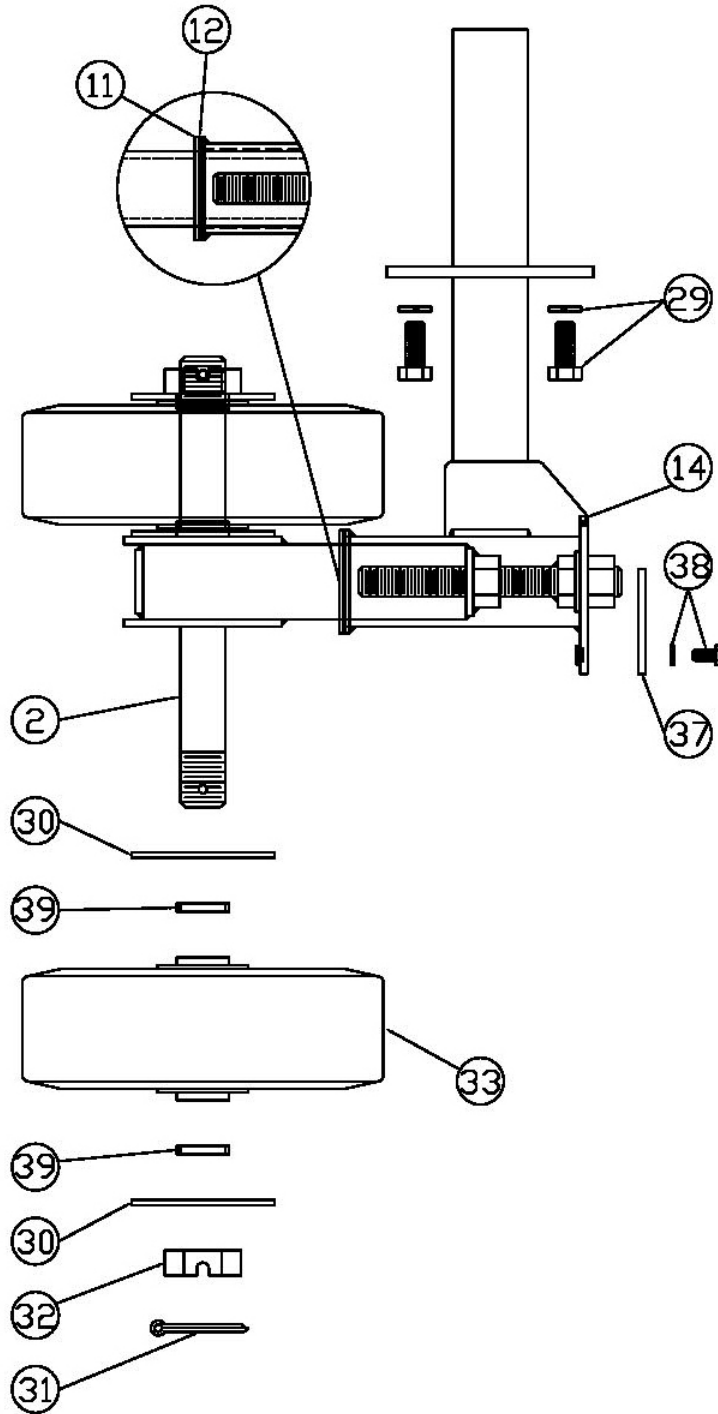
## DUMP LEVER PARTS LISTING

ITEM	QTY	PART#	DESCRIPTION
1	1	42117-02	Dump Lever
2	1	MS2100	Plastic Ball Knob
3	1	HW0001	Bolt Assembly 42117-08 (3/8" X 1 3/4" HHCS with 5 USS FW, 1 Hex Nut, and 1 Lock Nut)
4	2	42117-09	Yoke
5	2	42107-11	Clevis Pin
6	2	HW0001	Cotter Pin 42117-11 (3/32" x 3/4")
7	2	HW0001	Hex Nut 42117-12
8	1	42117-13	Dump Rod
9	1	42117-17	Dump Pedal
10	1	HW0001	Bolt Assembly 42117-23 (5/8" x 2 1/4" HHCS with 2 SAE FW, 1 Hex Nut, and NyLock)
12	1	42126-12	Handlebar with Dump Control Weldment
13	1	42126-13	Valve Shift Bar
14	1	42126-14	Dump Lever
15	1	42126-15	Cable Mounting Bracket
18	1	42126-18	Dump Lever Handle
19	1	42126-08	Hand Grip
21	1	42126-21	Dump Lever Knob
22	1	42126-22	Dump Cable
23	2	42126-23	Clevis with Pin
24	2	HW0001	#10-32 UNF Plated Hex Nut (42126-24)
25	1	42126-25	Dump Cable Cover
26	1	42126-26	Valve Link Bracket Kit
27	1	HW0001	1/4" HHCS x 1 3/4" Long with 2 SAE FW / Steel Lock Nut (42126-27)
28	1	HW0001	1/4" x 1 1/4" Long Shoulder Bolt with 10-24 Nylock Locknut (42126-28)
29	5	HW0001	3/8" HHCS x 1 1/4" Long with SAE FW / Locknut (42126-29)
30	1	HW0001	3/8" ID Loom Clamp (40120-27)

# MTB16 TRACK ASSEMBLY

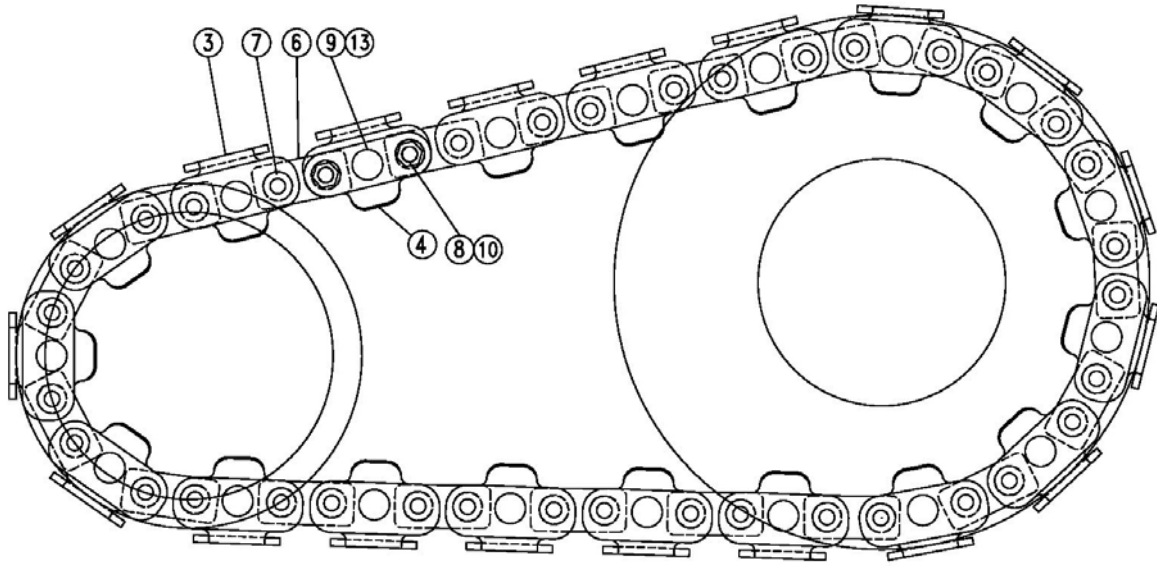
Refer to page 26 for parts listing

## A. Idler Wheel Assembly

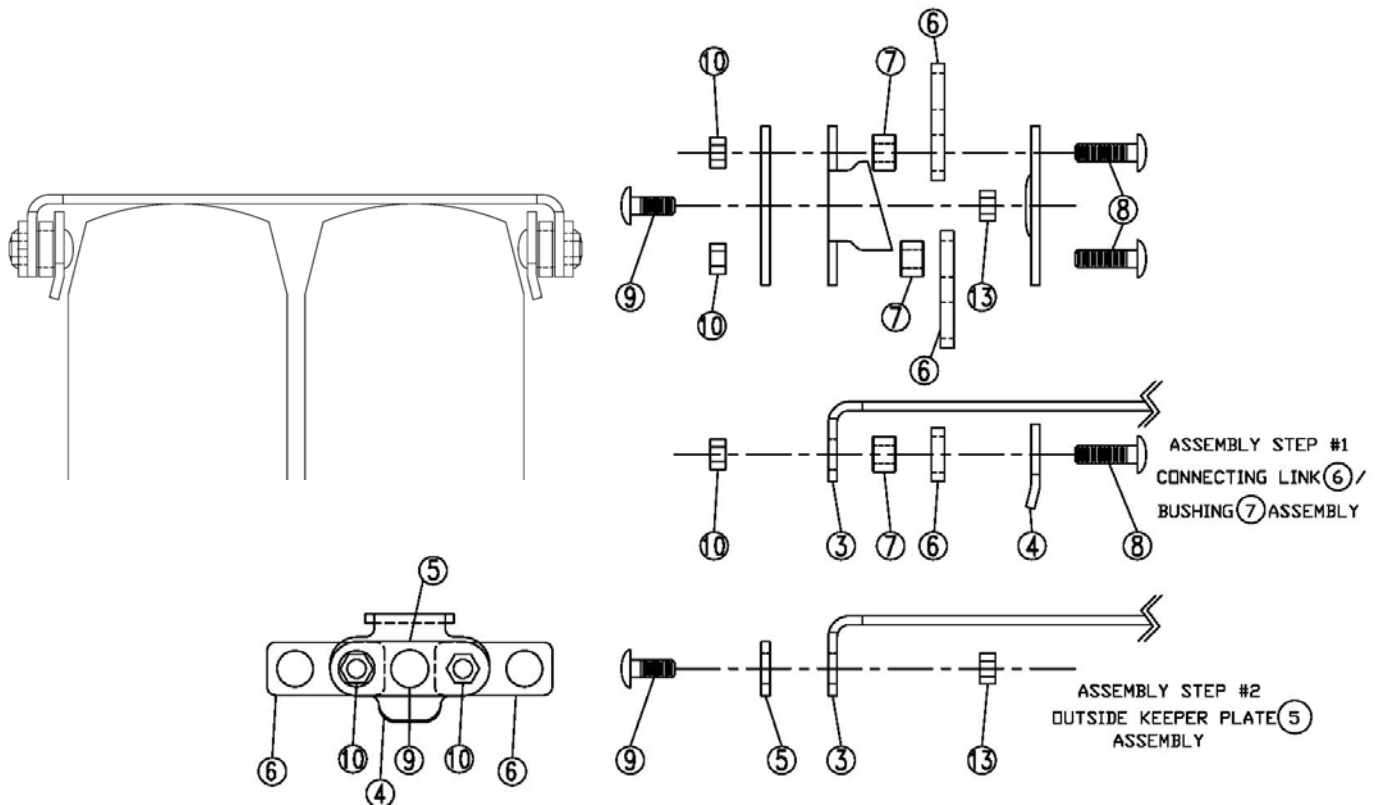


## MTB16 TRACK ASSEMBLY (continued)

### B. Track Assembly



### C. Cleat Assembly



## MTB16 TRACK ASSEMBLY PARTS LISTING

ITEM	QTY	PART#	DESCRIPTION
2	1	42130-02	Rear Axle Support Tube
3	19	42127-03	Cleat
4	28	42127-04	Backer Plate
5	38	42127-05	Outside Keeper
6	38	42127-06	Connecting Link
7	76	42127-07	Bushing
8	76	42127-08	½" – 13 NC x 1 ½" Long Plated Carriage Bolt. Grade 5 Minimum.
9	38	42127-09	½" – 13 NC x 1" Long Plated Carriage Bolt. Grade 5 Minimum.
10	76	42127-10	½" 13 NC Plated Hex Nut. Grade 8 Minimum
11	1	42130-11	Seal Retaining Flange
12	1	42130-12	Rubber Seal
13	38	HW0001	½" NC Steel Lock Nut (42127-13)
14	1	42130-14	Adjusting Tube Weldment
29	2	42130-29	5/8" – 11 NC HHCS x 1 ½" Long with Split Steel Lock Washer
30	4	42130-30	Wheel Seal Cover
31	2	HW0001	¼" x 2 ½" Cotter Pin (42130-31)
32	2	42130-32	1 ½" – 6 NC x 27/32" Cad Plated
33	2	42130-33	Idler Wheel
37	1	42130-37	Tensioning Nut Keeper Plate
38	1	42130-38	3/8" – 18 NC HHCS x ¾" Long with Split Steel Lock Washer
39	2	42130-39	Wheel Spacer